

TECHNICAL SHEET

Resuming shapes from art deco, this wall lamp combines a metal sheet with a protruding half-dome. Enoki can be a single design object or combined with other similar elements, assembled with different orientations.

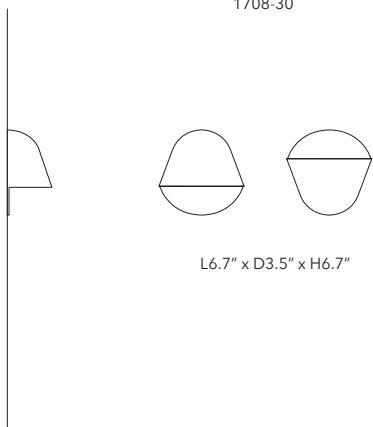
Certification



	1708-30
Mounting	Wall sconces
Environment	Indoor - Dry Location
Materials	Metal
Voltage	120V 60Hz
Source	LED 10W - CRI=90
Color Temperature	3000K
Lumen	469lm
Lighting control	Dimmable phase cut

Technical Drawing

1708-30



Finishes

Structure



Matt black varnished metal



Matt gold varnished metal



Matt white varnished metal



Matt titanium

NOTE:

2700K version available after technical verification

Codes Interpretation

1708 - 30 - 0600 - DXNU

1708
Year Collection

30
Typology Model

0600
Finish1 Finish2

DXNU
Lighting control Cable Source Wiring

CODES	SIZE	STRUCTURE	SHADE	DETAILS
1708-30-0600-DXNU	wall sconces	matt gold		dimnable phase cut
1708-30-1100-DXNU	wall sconces	matt black		dimnable phase cut
1708-30-0100-DXNU	wall sconces	matt white		dimnable phase cut
1708-30-1800-DXNU	wall sconces	matt titanium		dimnable phase cut

Legenda

Lighting Control	D = Dimmable	N = Not dimmable		
Cable	X = not suspension lamp	2 = 2m	4 = 4m	
Source	B = Bulb	W = Integrated LED 2700K	N = Integrated LED 3000K	
Wiring	E = Universal	U = USA with certification	V = USA without certification	